

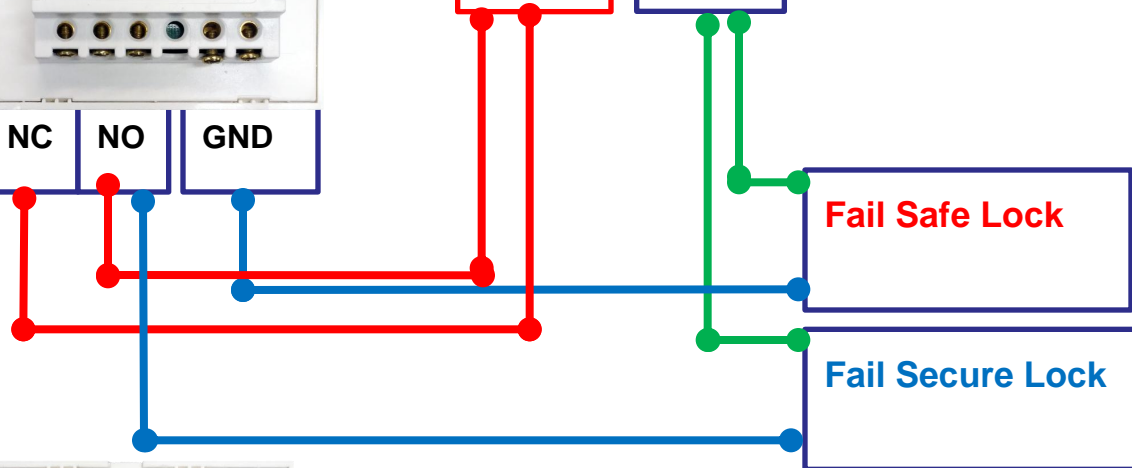
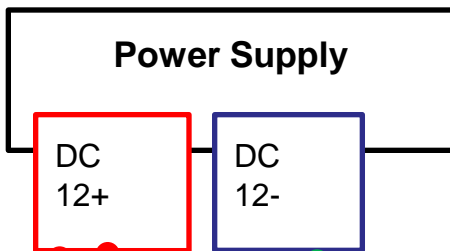
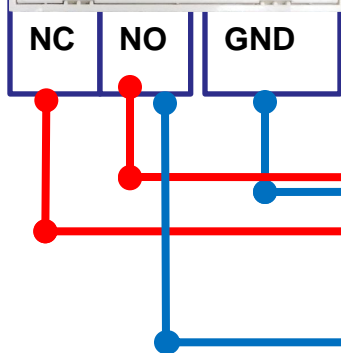
DR-822 Door Release Button



Technical Specifications :

Dimensions:	DR822 ,86L x 86W x 35H (mm)
Current Rating:	2A@12VDC Max
Operating Temp:	-10~+55°C (14-131F)
Suitable Humidity:	0~95% (Non-condensing)
Face Plate Material:	Plastic
Power Input:	DC12V
Weight:	0.12kg

Door Release Button Connection



Wiring and Installation with LOT Lock Power Supply

EM560 MAGNETIC LOCK OR LB100SS DROP BOLT LOCK

